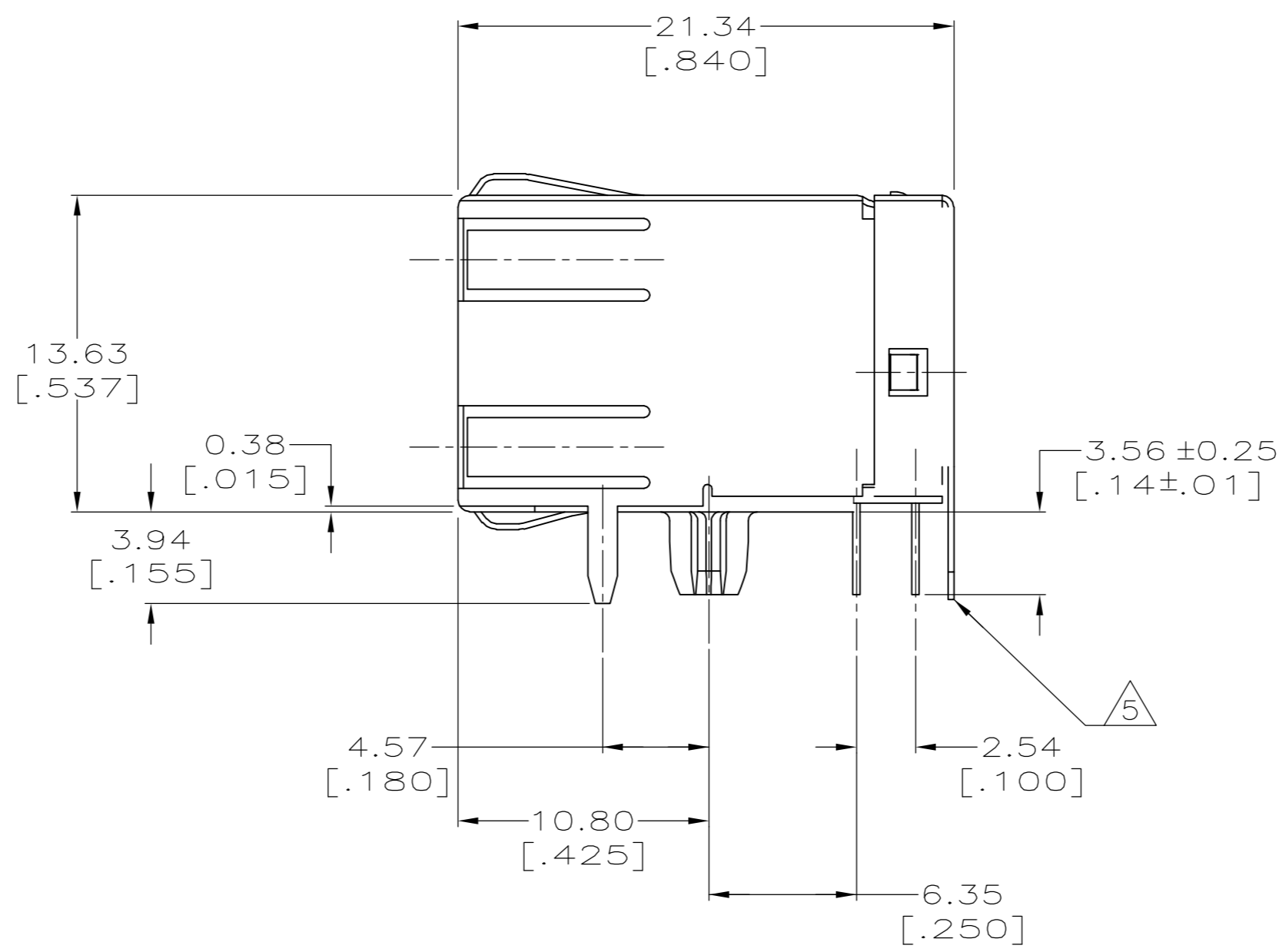
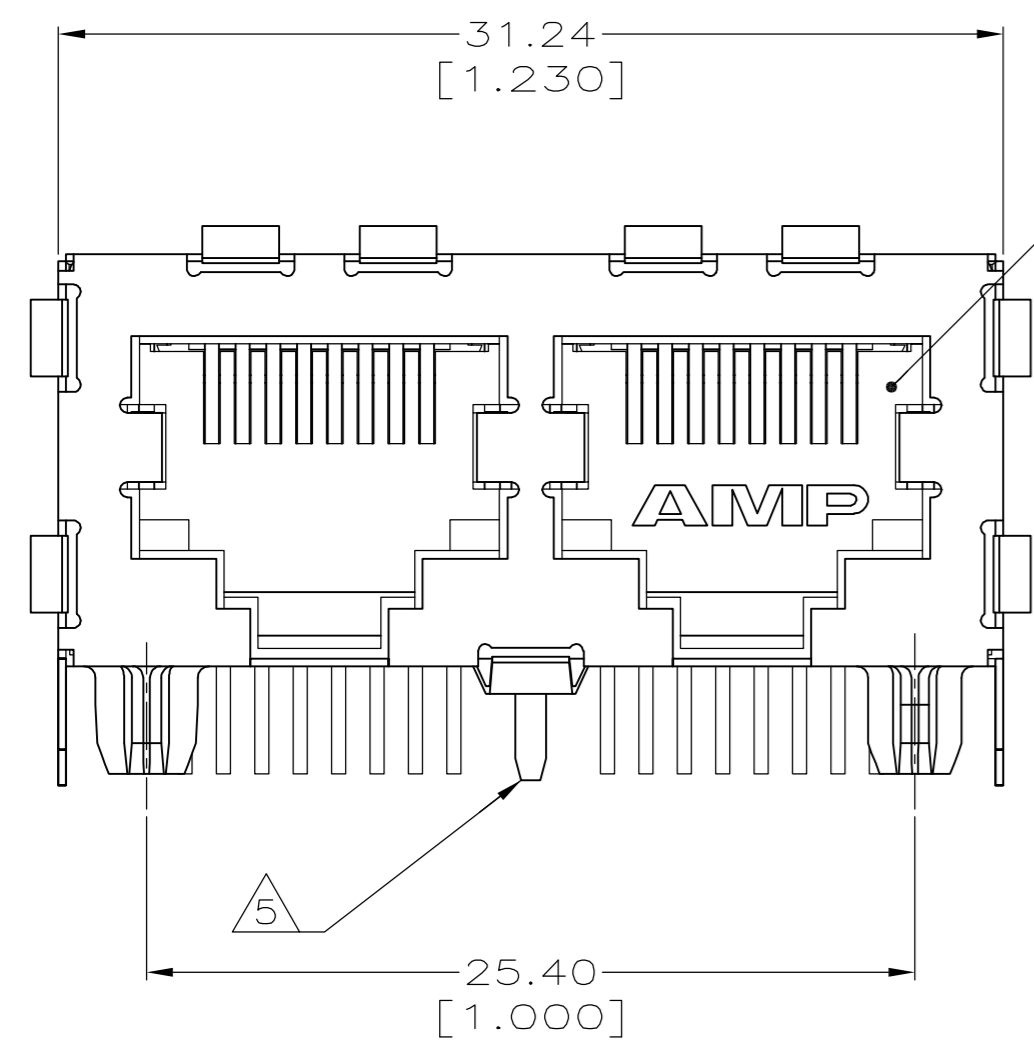
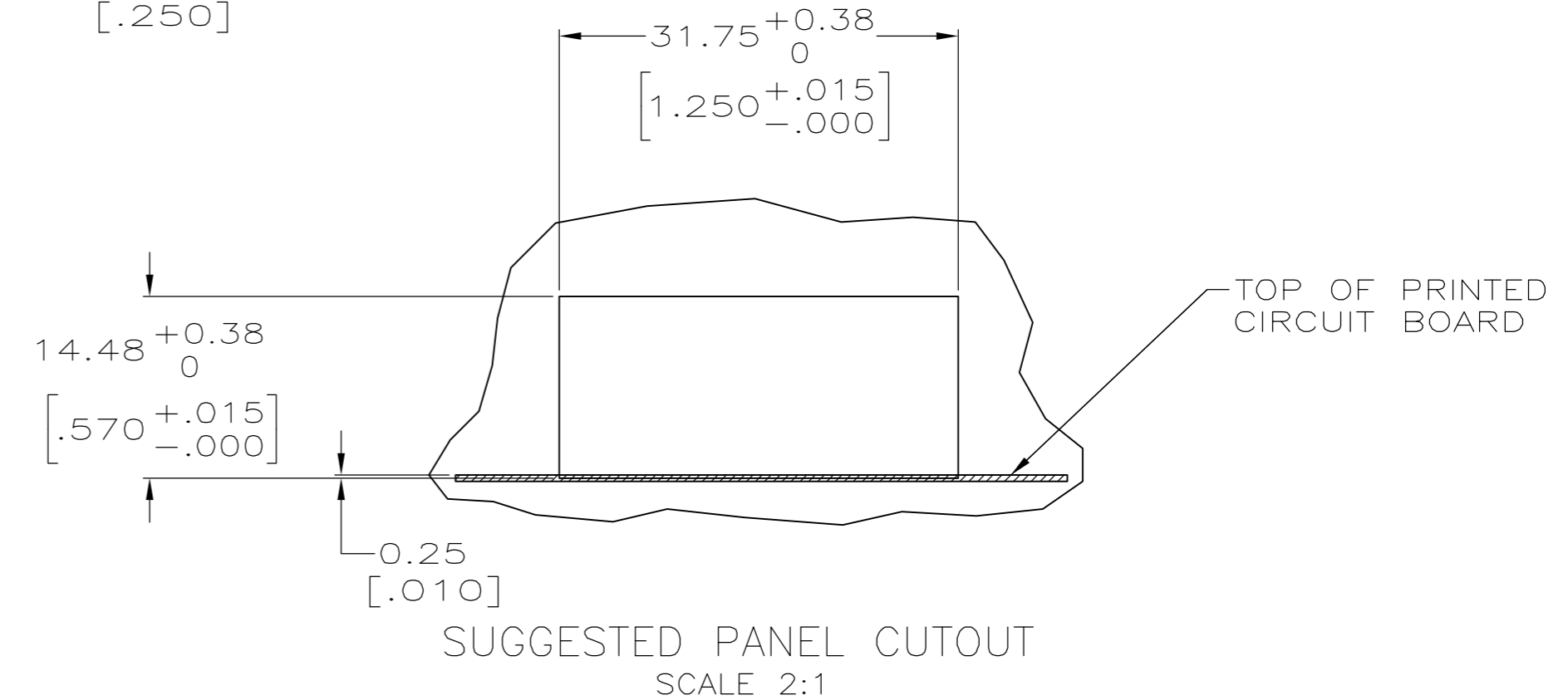
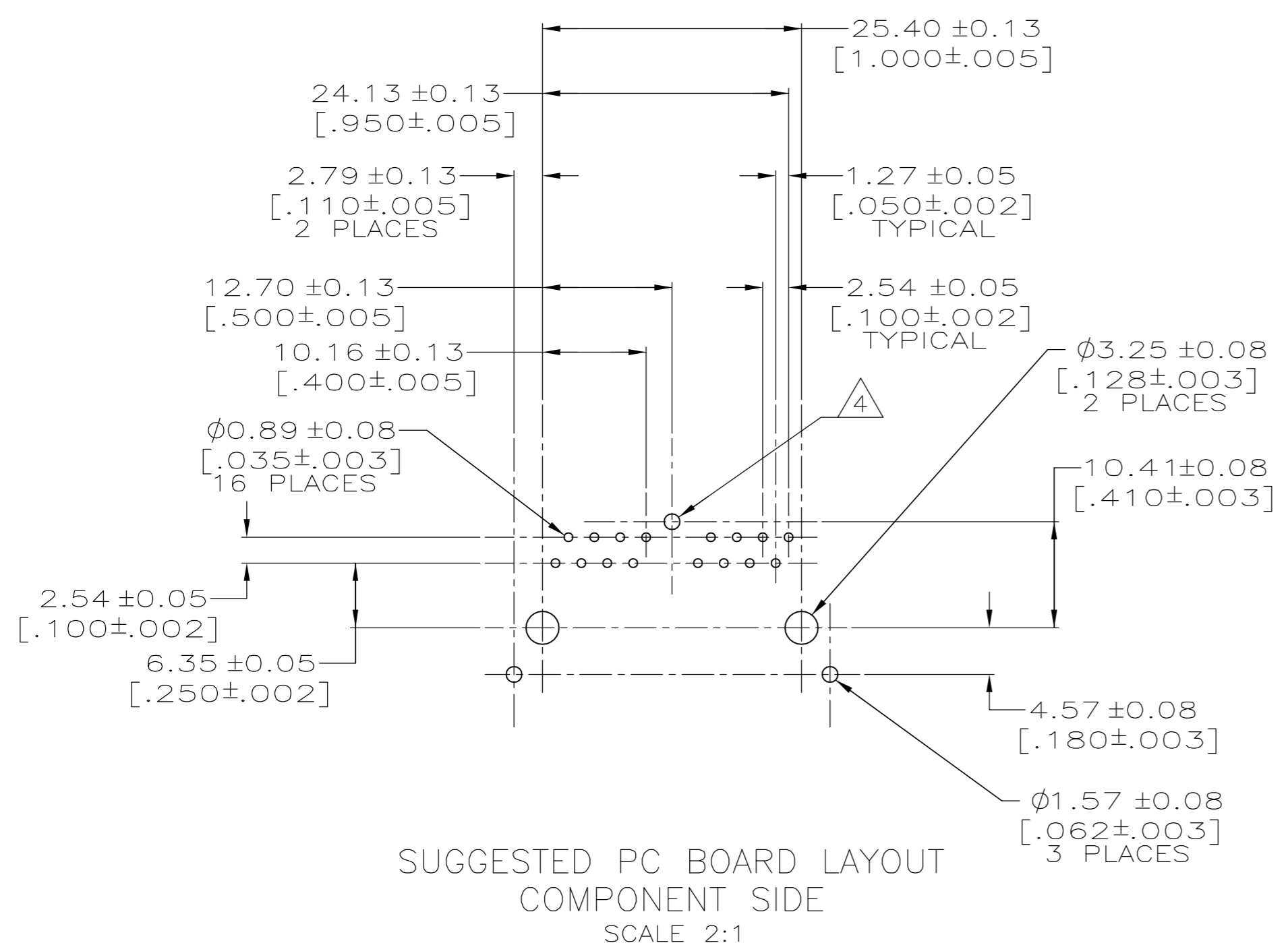


THIS DRAWING IS UNPUBLISHED. RELEASED FOR PUBLICATION  
 © COPYRIGHT BY TYCO ELECTRONICS CORPORATION. ALL RIGHTS RESERVED.

LOC	DIST	REVISIONS			
P	LTR	DESCRIPTION	DATE	DWN	APVD
AA	22	REV PER EC 0S11-0201-04	16JUN2005	JA	SF



- △ MATERIAL: HOUSING - HIGH TEMPERATURE NYLON, BLACK, IR COMPATIBLE, UL 94V-0.  
 TERMINALS - 0.33 [.013] THICK PHOS BRONZE PLATED WITH 1.27 μm [.000050] THICK HARD GOLD IN LOCALIZED AREA AND 3.81 μm [.000150] THICK MATTE TIN IN SOLDER AREA OVER 1.27 μm [.000050] THICK NICKEL UNDERPLATE.  
 SHIELD - 0.254 [.010] THICK COPPER ALLOY PLATED WITH 2.03 μm [.000080] MINIMUM BRIGHT TIN OVER 1.27 μm [.000050] MINIMUM NICKEL.
- △ JACK CAVITY COMFORMS TO FCC RULES AND REGULATIONS, PART 68 SUBPART F.
- 3. ALL DIMENSIONS SHOWN ARE NOMINAL UNLESS OTHERWISE SPECIFIED.
- △ THIS HOLE REQUIRED FOR -2 ONLY.
- △ REAR GROUND TAB NOT REQUIRED FOR -1.



SUGGESTED PC BOARD LAYOUT  
 COMPONENT SIDE  
 SCALE 2:1

SUGGESTED PANEL CUTOUT  
 SCALE 2:1

WITH REAR PCB GROUND TAB	5406562-2
△ WITHOUT REAR PCB GROUND TAB	5406562-1
DESCRIPTION	PART NO.

THIS DRAWING IS A CONTROLLED DOCUMENT.		DWN J. ALCORTA - DOCK5 16JUN2005	Tyco Electronics Corporation Harrisburg, PA 17105-3608
DIMENSIONS: mm[inches]		CHK J. WESTMAN 16JUN2005	
TOLERANCES UNLESS OTHERWISE SPECIFIED:		APVD S. FLICKINGER 16JUN2005	NAME MODULAR JACK ASSEMBLY, 2 PORT, 8 POSITION, RIGHT ANGLE, SHIELDED, CAT 4
0 PLC ± -		PRODUCT SPEC 108-1163	
1 PLC ± -		APPLICATION SPEC 114-2048	SIZE A2
2 PLC ± 0.25[.01]		WEIGHT -	CAGE CODE 00779
3 PLC ± 0.13[.005]		CUSTOMER DRAWING	DRAWING NO C=5406562
4 PLC ± -		SCALE 4:1	SHEET 1 OF 1
ANGLES ± -		REV A	RESTRICTED TO -
FINISH △			